

DUAL SP4T ANALOG SWITCH

3.3-V/2.5-V DUAL 4:1 ANALOG MULTIPLEXER/DEMULTIPLEXER

FEATURES

- Isolation in the Powered-Down Mode, $V_+ = 0$
- Low ON-State Resistance
- Low Charge Injection
- Excellent ON-State Resistance Matching
- Low Total Harmonic Distortion (THD)
- 2.3-V to 3.6-V Single-Supply Operation
- Latch-Up Performance Exceeds 100 mA Per JESD 78, Class II
- ESD Performance Tested Per JESD 22
 - 2000-V Human-Body Model (A114-B, Class II)
 - 1000-V Charged-Device Model (C101)

DESCRIPTION

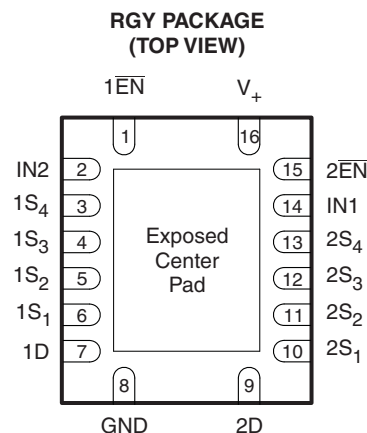
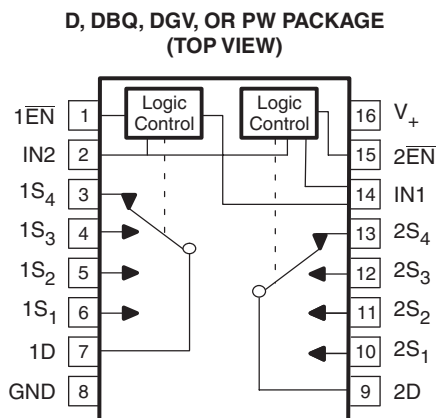
The TS3A5017 is a dual single-pole quadruple-throw (4:1) analog switch that is designed to operate from 2.3 V to 3.6 V. This device can handle both digital and analog signals, and signals up to V_+ can be transmitted in either direction.

FUNCTION TABLE

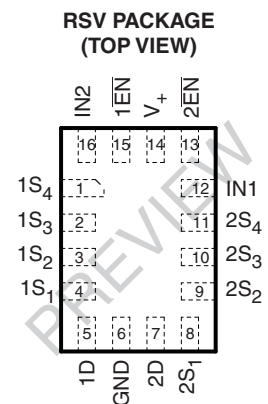
EN	IN2	IN1	D TO S, S TO D
L	L	L	D = S ₁
L	L	H	D = S ₂
L	H	L	D = S ₃
L	H	H	D = S ₄
H	X	X	OFF

APPLICATIONS

- Sample-and-Hold Circuits
- Battery-Powered Equipment
- Audio and Video Signal Routing
- Communication Circuits



If exposed center pad is used, it must be connected as a secondary ground or left electrically open.



Please be aware that an important notice concerning availability, standard warranty, and use in critical applications of Texas Instruments semiconductor products and disclaimers thereto appears at the end of this data sheet.

ORDERING INFORMATION

T_A	PACKAGE ⁽¹⁾⁽²⁾		ORDERABLE PART NUMBER	TOP-SIDE MARKING
–40°C to 85°C	μ QFN – RSV	Tape and reel	TS3A5017RSVR	ZVL
	QFN – RGY	Tape and reel	TS3A5017RGYR	YA017
	SOIC – D	Tube	TS3A5017D	TS3A5017
		Tape and reel	TS3A5017DR	
	SSOP (QSOP) – DBQ	Tape and reel	TS3A5017DBQR	YA017
	TSSOP – PW	Tube	TS3A5017PW	YA017
		Tape and reel	TS3A5017PWR	
	TVSOP – DGV	Tape and reel	TS3A5017DGVR	YA017

(1) Package drawings, thermal data, and symbolization are available at www.ti.com/packaging.

(2) For the most current package and ordering information, see the Package Option Addendum at the end of this document, or see the TI website at www.ti.com.

SUMMARY OF CHARACTERISTICS

$$V_+ = 3.3 \text{ V}, T_A = 25^\circ\text{C}$$

Configuration	Dual Analog Multiplexer/Demultiplexer (4:1 Mux/Demux)
Number of channels	2
ON-state resistance (r_{on})	11 Ω
ON-state resistance match (Δr_{on})	1 Ω
ON-state resistance flatness ($r_{on(flat)}$)	7 Ω
Turn-on/turn-off time (t_{ON}/t_{OFF})	5 ns/1.5 ns
Charge injection (Q_C)	5 pC
Bandwidth (BW)	165 MHz
OFF isolation (O_{ISO})	–48 dB at 10 MHz
Crosstalk (X_{TALK})	–49 dB at 10 MHz
Total harmonic distortion (THD)	0.21%
Leakage current ($I_{D(OFF)}/I_{S(OFF)}$)	$\pm 0.1 \mu\text{A}$
Power-supply current (I_+)	2.5 μA
Package options	16-pin QFN, μ QFN, SOIC, SSOP, TSSOP, or TVSOP

ABSOLUTE MINIMUM AND MAXIMUM RATINGS⁽¹⁾⁽²⁾

over operating free-air temperature range (unless otherwise noted)

		MIN	MAX	UNIT
V_+	Supply voltage ⁽³⁾	-0.5	4.6	V
V_S, V_D	Analog voltage ⁽³⁾⁽⁴⁾	-0.5	4.6	V
I_{SK}, I_{DK}	Analog port clamp current	$V_S, V_D < 0$		mA
I_S, I_D	On-state switch current	$V_S, V_D = 0$ to 7 V		mA
V_I	Digital input voltage	-0.5	4.6	V
I_{IK}	Digital input clamp current ⁽³⁾⁽⁴⁾	$V_I < 0$		mA
I_+	Continuous current through V_+		100	mA
I_{GND}	Continuous current through GND	-100		mA
T_{stg}	Storage temperature	-65	150	°C

- (1) Stresses beyond those listed under "absolute maximum ratings" may cause permanent damage to the device. These are stress ratings only, and functional operation of the device at these or any other conditions beyond those indicated under "recommended operating conditions" is not implied. Exposure to absolute-maximum-rated conditions for extended periods may affect device reliability.
- (2) The algebraic convention, whereby the most negative value is a minimum and the most positive value is a maximum.
- (3) All voltages are with respect to ground, unless otherwise specified.
- (4) The input and output voltage ratings may be exceeded if the input and output clamp-current ratings are observed.

PACKAGE THERMAL IMPEDANCE

			UNIT
θ_{JA}	Package thermal impedance ⁽¹⁾	D package	73
		DB package	82
		DGV package	120
		DW package	108
		RGY package	91.6
		RSV package	184
			°C/W

- (1) The package thermal impedance is calculated in accordance with JESD 51-7.

ELECTRICAL CHARACTERISTICS FOR 3.3-V SUPPLY⁽¹⁾
 $V_+ = 2.7\text{ V to }3.6\text{ V}$, $T_A = -40^\circ\text{C to }85^\circ\text{C}$ (unless otherwise noted)

PARAMETER	SYMBOL	TEST CONDITIONS	T_A	V_+	MIN	TYP	MAX	UNIT	
Analog Switch									
Analog signal range	V_D, V_S				0		V_+	V	
ON-state resistance	r_{on}	$0 \leq V_S \leq V_+$, $I_D = -32\text{ mA}$,	Switch ON, See Figure 13	25°C Full	3 V	11	12 14	Ω	
ON-state resistance match between channels	Δr_{on}	$V_S = 2.1\text{ V}$, $I_D = -32\text{ mA}$,	Switch ON, See Figure 13	25°C Full	3 V	1	2 3	Ω	
ON-state resistance flatness	$r_{on(Flat)}$	$0 \leq V_S \leq V_+$, $I_D = -32\text{ mA}$,	Switch ON, See Figure 13	25°C Full	3 V	7	9 10	Ω	
S OFF leakage current	$I_{S(OFF)}$	$V_S = 1\text{ V}, V_D = 3\text{ V}$, or $V_S = 3\text{ V}, V_D = 1\text{ V}$,	Switch OFF, See Figure 14	25°C Full	3.6 V	-0.1	0.05	0.1 0.2	μA
	$I_{SPWR(OFF)}$	$V_S = 0\text{ to }3.6\text{ V}$, $V_D = 3.6\text{ V to }0$,		25°C Full		0 V	-1	0.5	
D OFF leakage current	$I_{D(OFF)}$	$V_S = 1\text{ V}, V_D = 3\text{ V}$, or $V_S = 3\text{ V}, V_D = 1\text{ V}$,	Switch OFF, See Figure 14	25°C Full	3.6 V	-0.1	0.05	0.1 0.2	μA
	$I_{DPWR(OFF)}$	$V_D = 0\text{ to }3.6\text{ V}$, $V_S = 3.6\text{ V to }0$,		25°C Full		0 V	-1	0.5	
S ON leakage current	$I_{S(ON)}$	$V_S = 1\text{ V}, V_D = \text{Open}$, or $V_S = 3\text{ V}, V_D = \text{Open}$,	Switch ON, See Figure 15	25°C Full	3.6 V	-0.1	0.05	0.1 0.2	μA
D ON leakage current	$I_{D(ON)}$	$V_D = 1\text{ V}, V_S = \text{Open}$, or $V_D = 3\text{ V}, V_S = \text{Open}$,	Switch ON, See Figure 15	25°C Full		3.6 V	-0.1	0.05	
Digital Control Inputs (IN1, IN2, $\overline{\text{EN}}$)⁽²⁾									
Input logic high	V_{IH}			Full		2		V_+	V
Input logic low	V_{IL}			Full		0		0.8	V
Input leakage current	I_{IH}, I_{IL}	$V_I = V_+ \text{ or } 0$		25°C Full	3.6 V	-1	0.05	1	μA
				Full		-1		1	

(1) The algebraic convention, whereby the most negative value is a minimum and the most positive value is a maximum

(2) All unused digital inputs of the device must be held at V_+ or GND to ensure proper device operation. Refer to the TI application report, *Implications of Slow or Floating CMOS Inputs*, literature number SCBA004.

ELECTRICAL CHARACTERISTICS FOR 3.3-V SUPPLY (continued)
 $V_+ = 2.7\text{ V to }3.6\text{ V}$, $T_A = -40^\circ\text{C to }85^\circ\text{C}$ (unless otherwise noted)

PARAMETER	SYMBOL	TEST CONDITIONS	T_A	V_+	MIN	TYP	MAX	UNIT	
Dynamic									
Turn-on time	t_{ON}	$V_D = 2\text{ V}$, $R_L = 300\ \Omega$,	$C_L = 35\text{ pF}$, See Figure 17	25°C	3.3 V	1	5	9.5	ns
				Full	3 V to 3.6 V	1		10.5	
Turn-off time	t_{OFF}	$V_D = 2\text{ V}$, $R_L = 300\ \Omega$,	$C_L = 35\text{ pF}$, See Figure 17	25°C	3.3 V	0.5	1.5	3.5	ns
				Full	3 V to 3.6 V	0.5		4.5	
Charge injection	Q_C	$V_{GEN} = 0$, $R_{GEN} = 0$, $C_L = 0.1\text{ nF}$,	See Figure 22	25°C	3.3 V		5	pC	
S OFF capacitance	$C_{S(OFF)}$	$V_S = V_+$ or GND, Switch OFF,	See Figure 16	25°C	3.3 V		4.5	pF	
D OFF capacitance	$C_{D(OFF)}$	$V_D = V_+$ or GND, Switch OFF,	See Figure 16	25°C	3.3 V		19	pF	
S ON capacitance	$C_{S(ON)}$	$V_S = V_+$ or GND, Switch ON,	See Figure 16	25°C	3.3 V		25	pF	
D ON capacitance	$C_{D(ON)}$	$V_D = V_+$ or GND, Switch ON,	See Figure 16	25°C	3.3 V		25	pF	
Digital input capacitance	C_I	$V_I = V_+$ or GND,	See Figure 16	25°C	3.3 V		2	pF	
Bandwidth	BW	$R_L = 50\ \Omega$, Switch ON,	See Figure 18	25°C	3.3 V		165	MHz	
OFF isolation	O_{ISO}	$R_L = 50\ \Omega$, $f = 1\text{ MHz}$,	See Figure 19	25°C	3.3 V		-48	dB	
Crosstalk	X_{TALK}	$R_L = 50\ \Omega$, $f = 1\text{ MHz}$,	See Figure 20	25°C	3.3 V		-49	dB	
Crosstalk adjacent	$X_{TALK(ADJ)}$	$R_L = 50\ \Omega$, $f = 1\text{ MHz}$,	See Figure 21	25°C	3.3 V		-74	dB	
Total harmonic distortion	THD	$R_L = 600\ \Omega$, $C_L = 50\text{ pF}$,	$f = 20\text{ Hz to }20\text{ kHz}$, See Figure 23	25°C	3.3 V		0.21	%	
Supply									
Positive supply current	I_+	$V_I = V_+$ or GND,	Switch ON or OFF	25°C	3.6 V		2.5	7	μA
				Full				10	

ELECTRICAL CHARACTERISTICS FOR 2.5-V SUPPLY⁽¹⁾
 $V_+ = 2.3 \text{ V to } 2.7 \text{ V}$, $T_A = -40^\circ\text{C to } 85^\circ\text{C}$ (unless otherwise noted)

PARAMETER	SYMBOL	TEST CONDITIONS	T_A	V_+	MIN	TYP	MAX	UNIT	
Analog Switch									
Analog signal range	V_D, V_S				0		V_+	V	
ON-state resistance	r_{on}	$0 \leq V_S \leq V_+$, $I_D = -24 \text{ mA}$, Switch ON, See Figure 13	25°C Full	2.3 V		20.5	22 24	Ω	
ON-state resistance match between channels	Δr_{on}	$V_S = 1.6 \text{ V}$, $I_D = -24 \text{ mA}$, Switch ON, See Figure 13	25°C Full	2.3 V		1	2 3	Ω	
ON-state resistance flatness	$r_{on(flat)}$	$0 \leq V_S \leq V_+$, $I_D = -24 \text{ mA}$, Switch ON, See Figure 13	25°C Full	2.3 V		16	18 20	Ω	
S OFF leakage current	$I_{S(OFF)}$	$V_S = 0.5 \text{ V}$, $V_D = 2.2 \text{ V}$, or $V_S = 2.2 \text{ V}$, $V_D = 0.5 \text{ V}$, Switch OFF, See Figure 14	25°C Full	2.7 V	-0.1	0.05	0.1 0.2	μA	
	$I_{SPWR(OFF)}$	$V_S = 0 \text{ to } 2.7 \text{ V}$, $V_D = 2.7 \text{ V to } 0$,	25°C Full	0 V	-1	0.5	1 5		
D OFF leakage current	$I_{D(OFF)}$	$V_S = 0.5 \text{ V}$, $V_D = 2.2 \text{ V}$, or $V_S = 2.2 \text{ V}$, $V_D = 0.5 \text{ V}$, Switch OFF, See Figure 14	25°C Full	2.7 V	-0.1	0.05	0.1 0.2	μA	
	$I_{DPWR(OFF)}$	$V_D = 0 \text{ to } 2.7 \text{ V}$, $V_S = 2.7 \text{ V to } 0$,	25°C Full	0 V	-1	0.5	1 5		
S ON leakage current	$I_{S(ON)}$	$V_S = 0.5 \text{ V}$, $V_D = \text{Open}$, or $V_S = 2.2 \text{ V}$, $V_D = \text{Open}$, Switch ON, See Figure 15	25°C Full	2.7 V	-0.1	0.05	0.1 0.2	μA	
D ON leakage current	$I_{D(ON)}$	$V_D = 0.5 \text{ V}$, $V_S = \text{Open}$, or $V_D = 2.2 \text{ V}$, $V_S = \text{Open}$, Switch ON, See Figure 15	25°C Full	2.7 V	-0.1	0.05	0.1 0.2	μA	
Digital Control Inputs (IN1, IN2, EN)⁽²⁾									
Input logic high	V_{IH}		Full		1.7		V_+	V	
Input logic low	V_{IL}		Full		0		0.7	V	
Input leakage current	I_{IH}, I_{IL}	$V_I = V_+ \text{ or } 0$	25°C	2.7 V		-1	0.05	1	μA
			Full						

(1) The algebraic convention, whereby the most negative value is a minimum and the most positive value is a maximum

(2) All unused digital inputs of the device must be held at V_+ or GND to ensure proper device operation. Refer to the TI application report, *Implications of Slow or Floating CMOS Inputs*, literature number SCBA004.

ELECTRICAL CHARACTERISTICS FOR 2.5-V SUPPLY (continued)
 $V_+ = 2.3 \text{ V to } 2.7 \text{ V}$, $T_A = -40^\circ\text{C to } 85^\circ\text{C}$ (unless otherwise noted)

PARAMETER	SYMBOL	TEST CONDITIONS	T_A	V_+	MIN	TYP	MAX	UNIT	
Dynamic									
Turn-on time	t_{ON}	$V_D = 2 \text{ V}$, $R_L = 300 \Omega$,	$C_L = 35 \text{ pF}$, See Figure 17	25°C	2.5 V	1.5	5	8	ns
				Full	2.3 V to 2.7 V	1		10	
Turn-off time	t_{OFF}	$V_D = 2 \text{ V}$, $R_L = 300 \Omega$,	$C_L = 35 \text{ pF}$, See Figure 17	25°C	2.5 V	0.3	2	4.5	ns
				Full	2.3 V to 2.7 V	0.3		6	
Charge injection	Q_C	$V_{GEN} = 0$, $R_{GEN} = 0$, $C_L = 0.1 \text{ nF}$,	See Figure 22	25°C	2.5 V			pC	
S OFF capacitance	$C_{S(OFF)}$	$V_S = V_+$ or GND, Switch OFF,	See Figure 16	25°C	2.5 V		4.5	pF	
D OFF capacitance	$C_{D(OFF)}$	$V_D = V_+$ or GND, Switch OFF,	See Figure 16	25°C	2.5 V		18.5	pF	
S ON capacitance	$C_{S(ON)}$	$V_S = V_+$ or GND, Switch ON,	See Figure 16	25°C	2.5 V		24	pF	
D ON capacitance	$C_{D(ON)}$	$V_D = V_+$ or GND, Switch ON,	See Figure 16	25°C	2.5 V		24	pF	
Digital input capacitance	C_I	$V_I = V_+$ or GND,	See Figure 16	25°C	2.5 V		2	pF	
Bandwidth	BW	$R_L = 50 \Omega$, Switch ON,	See Figure 18	25°C	2.5 V		165	MHz	
OFF isolation	O_{ISO}	$R_L = 50 \Omega$, $f = 1 \text{ MHz}$,	See Figure 19	25°C	2.5 V		-48	dB	
Crosstalk	X_{TALK}	$R_L = 50 \Omega$, $f = 1 \text{ MHz}$,	See Figure 20	25°C	2.5 V		-49	dB	
Crosstalk adjacent	$X_{TALK(ADJ)}$	$R_L = 50 \Omega$, $f = 1 \text{ MHz}$,	See Figure 21	25°C	2.5 V		-74	dB	
Total harmonic distortion	THD	$R_L = 600 \Omega$, $C_L = 50 \text{ pF}$,	$f = 20 \text{ Hz to } 20 \text{ kHz}$, See Figure 23	25°C	2.5 V		0.29	%	
Supply									
Positive supply current	I_+	$V_I = V_+$ or GND,	Switch ON or OFF	25°C	2.7 V		2.5	7	μA
				Full				10	

TYPICAL PERFORMANCE

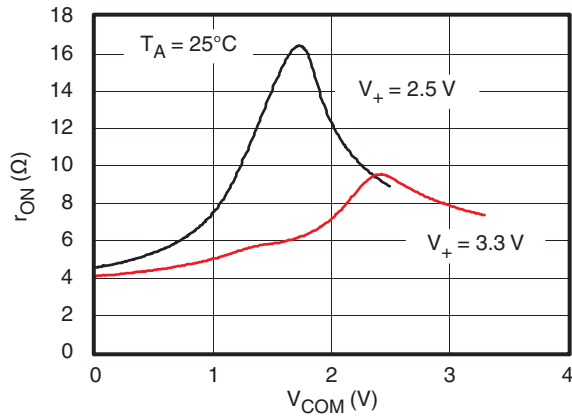


Figure 1. r_{on} vs V_{COM}

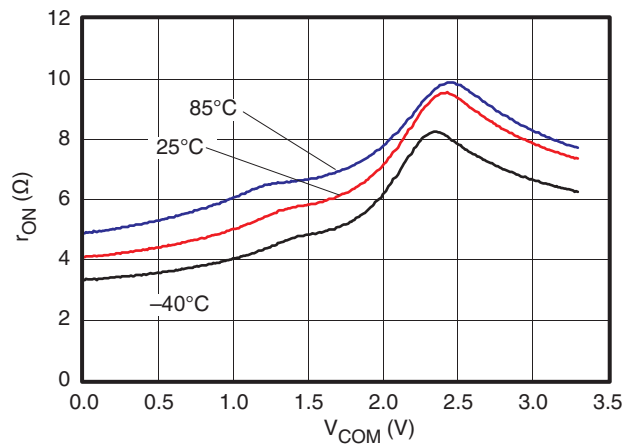


Figure 2. r_{on} vs V_{COM} ($V_+ = 3.3$ V)

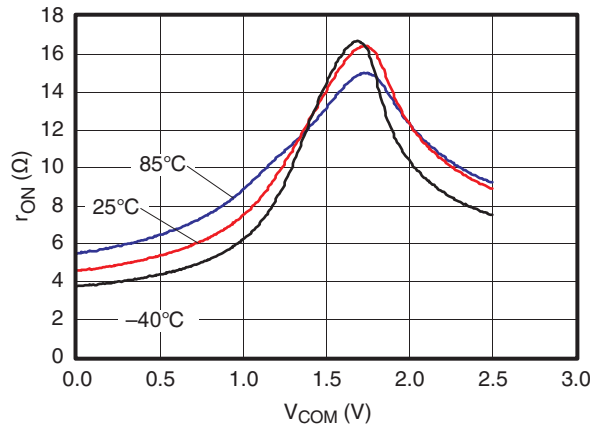


Figure 3. r_{on} vs V_{COM} ($V_+ = 2.5$ V)

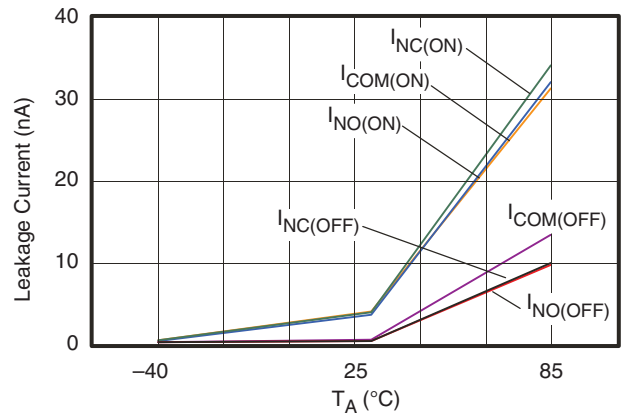


Figure 4. Leakage Current vs Temperature ($V_+ = 3.6$ V)

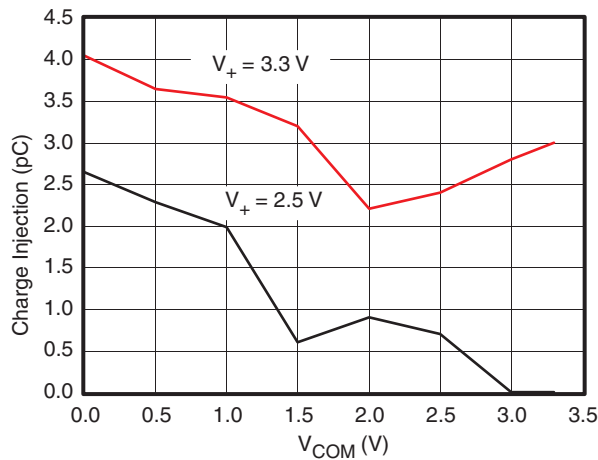


Figure 5. Charge Injection (Q_C) vs V_{COM}

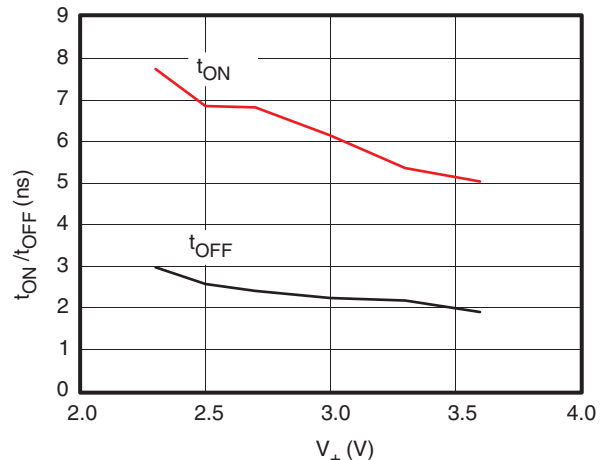


Figure 6. t_{ON} and t_{OFF} vs Supply Voltage

TYPICAL PERFORMANCE (continued)

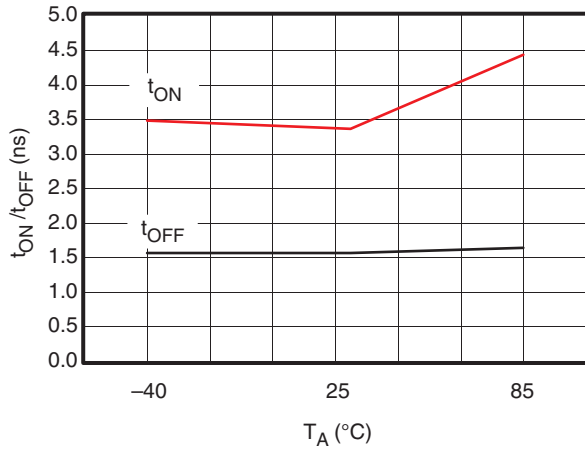


Figure 7. t_{ON} and t_{OFF} vs Temperature ($V_+ = 3.3$ V)

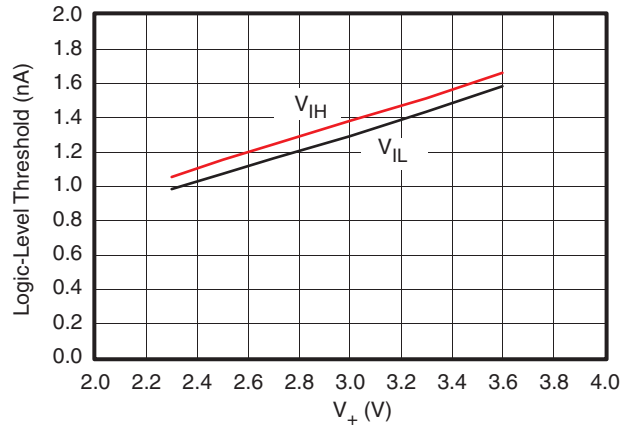


Figure 8. Logic-Level Threshold vs V_+

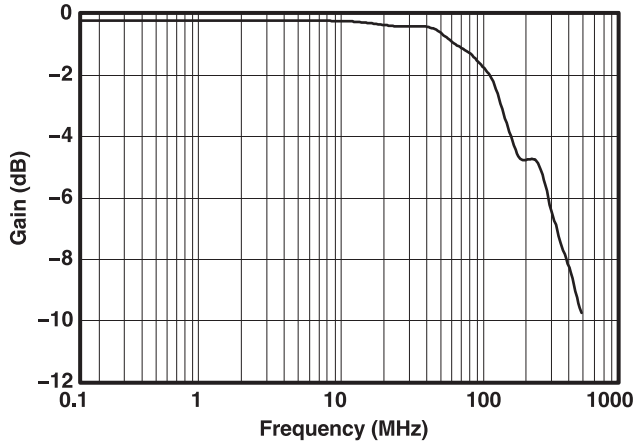


Figure 9. Bandwidth (Gain vs Frequency) ($V_+ = 3.3$ V)

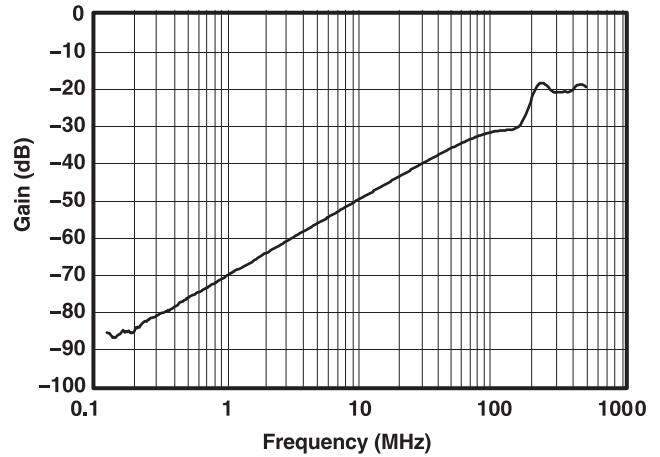


Figure 10. OFF Isolation and Crosstalk vs Frequency ($V_+ = 3.3$ V)

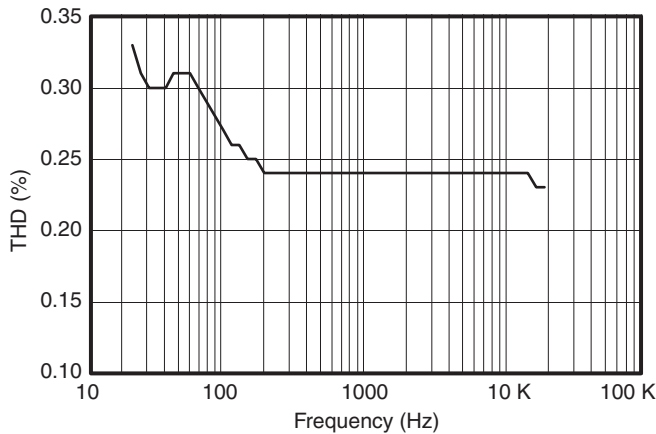


Figure 11. Total Harmonic Distortion vs Frequency

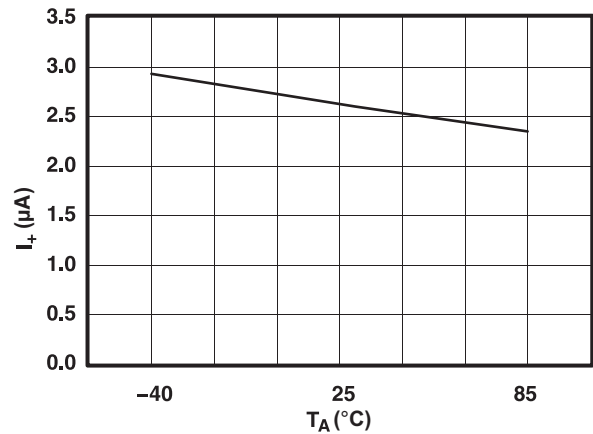


Figure 12. Power-Supply Current vs Temperature ($V_+ = 3.6$ V)

PIN DESCRIPTION

PIN NO.	NAME	DESCRIPTION
1	$1\overline{EN}$	Enable (active low)
2	IN2	Digital control to connect D to S
3	1S ₄	Analog I/O
4	1S ₃	Analog I/O
5	1S ₂	Analog I/O
6	1S ₁	Analog I/O
7	1D	Common
8	GND	Ground
9	2D	Common
10	2S ₁	Analog I/O
11	2S ₂	Analog I/O
12	2S ₃	Analog I/O
13	2S ₄	Analog I/O
14	IN1	Digital control to connect D to S
15	$2\overline{EN}$	Enable (active low)
16	V ₊	Power supply

PARAMETER DESCRIPTION

SYMBOL	DESCRIPTION
V_D	Voltage at D
V_{NC}	Voltage at S
r_{on}	Resistance between D and S ports when the channel is ON
Δr_{on}	Difference of r_{on} between channels in a specific device
$r_{on(Flat)}$	Difference between the maximum and minimum value of r_{on} in a channel over the specified range of conditions
$I_{S(OFF)}$	Leakage current measured at the S port, with the corresponding channel (S to D) in the OFF state
$I_{SPWR(OFF)}$	Leakage current measured at the S port under the powered down mode, $V_+ = 0$
$I_{S(ON)}$	Leakage current measured at the S port, with the corresponding channel (S to D) in the ON state and the output (D) open
$I_{D(OFF)}$	Leakage current measured at the D port, with the corresponding channel (D to S) in the OFF state
$I_{DPWR(OFF)}$	Leakage current measured at the D port under the powered down mode, $V_+ = 0$
$I_{D(ON)}$	Leakage current measured at the D port, with the corresponding channel (D to S) in the ON state and the output (S) open
V_{IH}	Minimum input voltage for logic high for the control input (IN, \overline{EN})
V_{IL}	Maximum input voltage for logic low for the control input (IN, \overline{EN})
V_I	Voltage at the control input (IN, \overline{EN})
I_{IH}, I_{IL}	Leakage current measured at the control input (IN, \overline{EN})
t_{ON}	Turn-on time for the switch. This parameter is measured under the specified range of conditions and by the propagation delay between the digital control (IN) signal and analog output (D or S) signal when the switch is turning ON.
t_{OFF}	Turn-off time for the switch. This parameter is measured under the specified range of conditions and by the propagation delay between the digital control (IN) signal and analog output (D or S) signal when the switch is turning OFF.
Q_C	Charge injection is a measurement of unwanted signal coupling from the control (IN) input to the analog (S or D) output. This is measured in coulomb (C) and measured by the total charge induced due to switching of the control input. Charge injection, $Q_C = C_L \times \Delta V_D$, C_L is the load capacitance and ΔV_D is the change in analog output voltage.
$C_{S(OFF)}$	Capacitance at the S port when the corresponding channel (S to D) is OFF
$C_{S(ON)}$	Capacitance at the S port when the corresponding channel (S to D) is ON
$C_{D(OFF)}$	Capacitance at the D port when the corresponding channel (D to S) is OFF
$C_{D(ON)}$	Capacitance at the D port when the corresponding channel (D to S) is ON
C_I	Capacitance of control input (IN)
O_{ISO}	OFF isolation of the switch is a measurement of OFF-state switch impedance. This is measured in dB in a specific frequency, with the corresponding channel (S to D) in the OFF state.
X_{TALK}	Crosstalk is a measurement of unwanted signal coupling from an ON channel to an OFF channel (1S ₁ to 2S ₁). This is measured in a specific frequency and in dB.
BW	Bandwidth of the switch. This is the frequency in which the gain of an ON channel is -3 dB below the DC gain.
THD	Total harmonic distortion describes the signal distortion caused by the analog switch. This is defined as the ratio of root mean square (RMS) value of the second, third, and higher harmonic to the absolute magnitude of the fundamental harmonic.
I_+	Static power-supply current with the control (IN) pin at V_+ or GND

PARAMETER MEASUREMENT INFORMATION

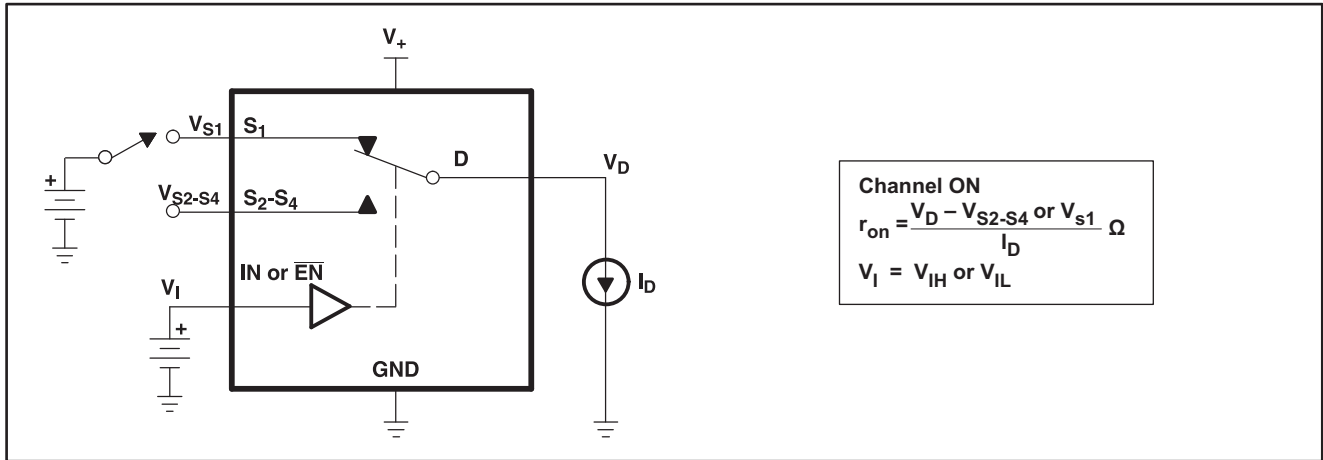


Figure 13. ON-State Resistance (r_{on})

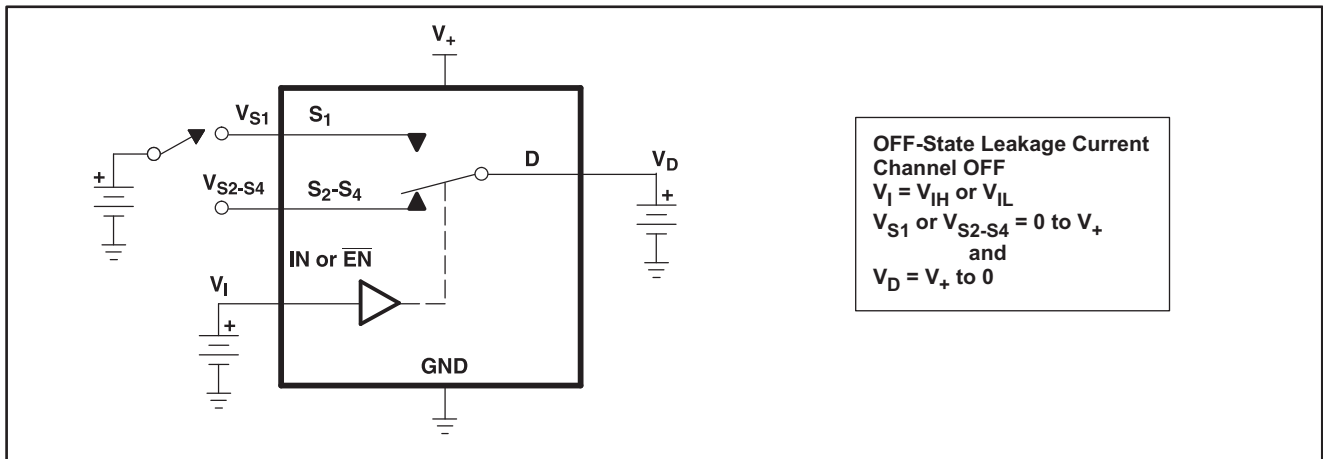


Figure 14. OFF-State Leakage Current ($I_{D(OFF)}$, $I_{S(OFF)}$)

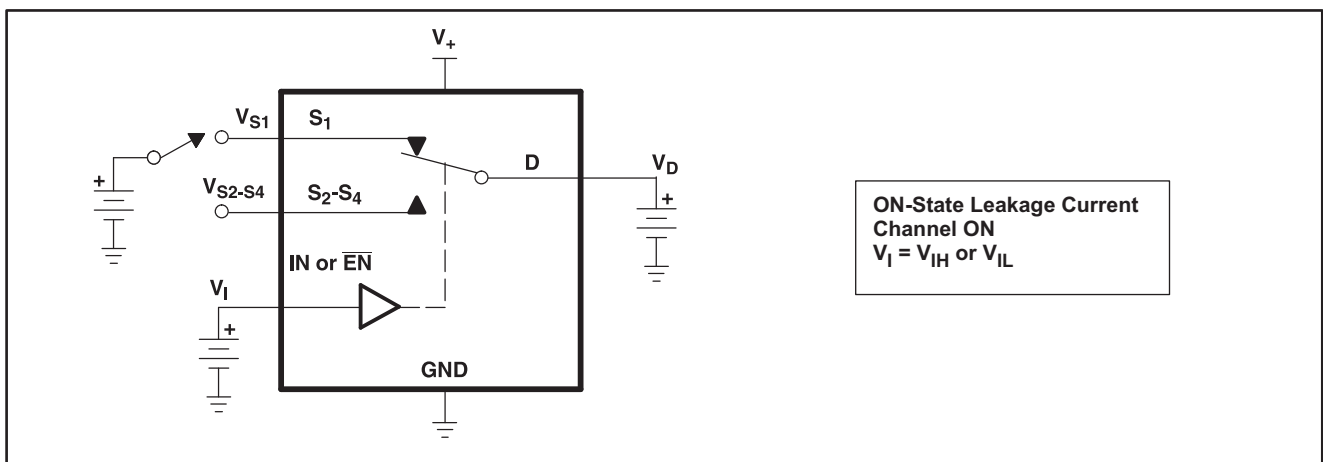


Figure 15. ON-State Leakage Current ($I_{D(ON)}$, $I_{S(ON)}$)

PARAMETER MEASUREMENT INFORMATION (continued)

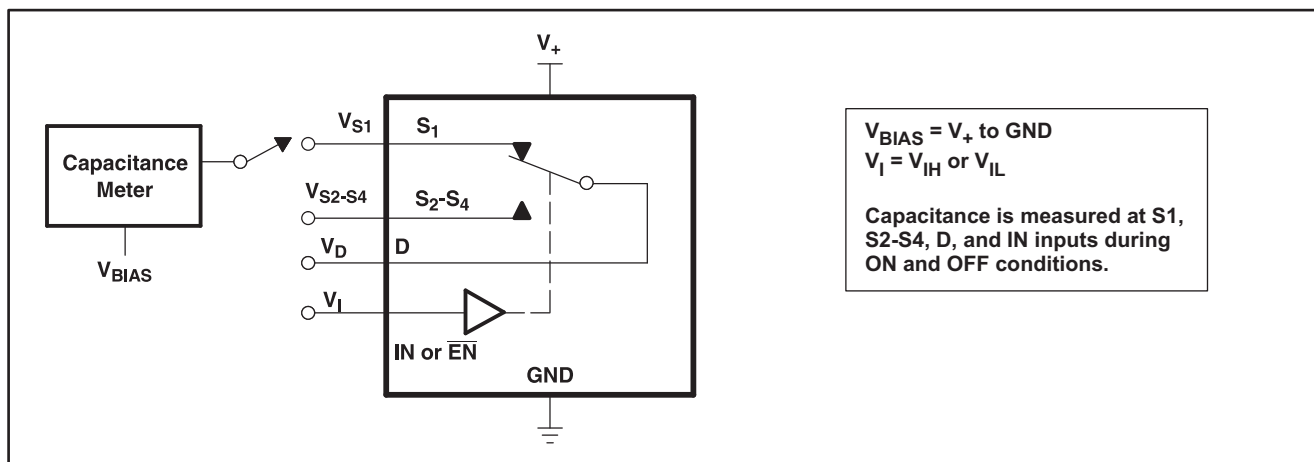
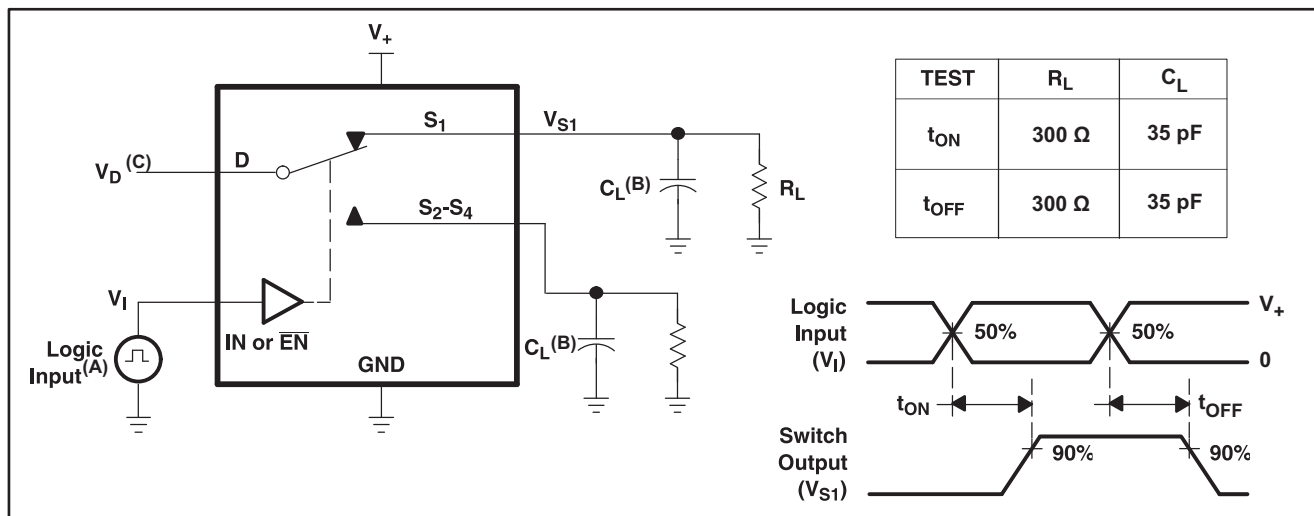


Figure 16. Capacitance (C_I , $C_{D(OFF)}$, $C_{D(ON)}$, $C_{S(OFF)}$, $C_{S(ON)}$)



- A. All input pulses are supplied by generators having the following characteristics: PRR \leq 10 MHz, $Z_O = 50 \Omega$, $t_r < 5$ ns, $t_f < 5$ ns.
- B. C_L includes probe and jig capacitance.
- C. See Electrical Characteristics for V_D .

Figure 17. Turn-On (t_{ON}) and Turn-Off Time (t_{OFF})

PARAMETER MEASUREMENT INFORMATION (continued)

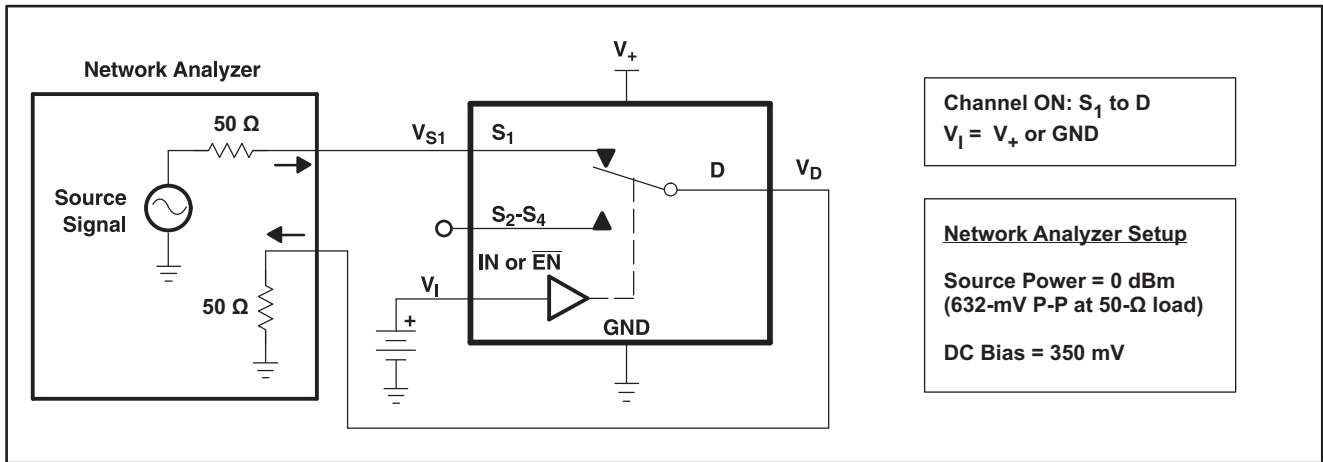


Figure 18. Bandwidth (BW)

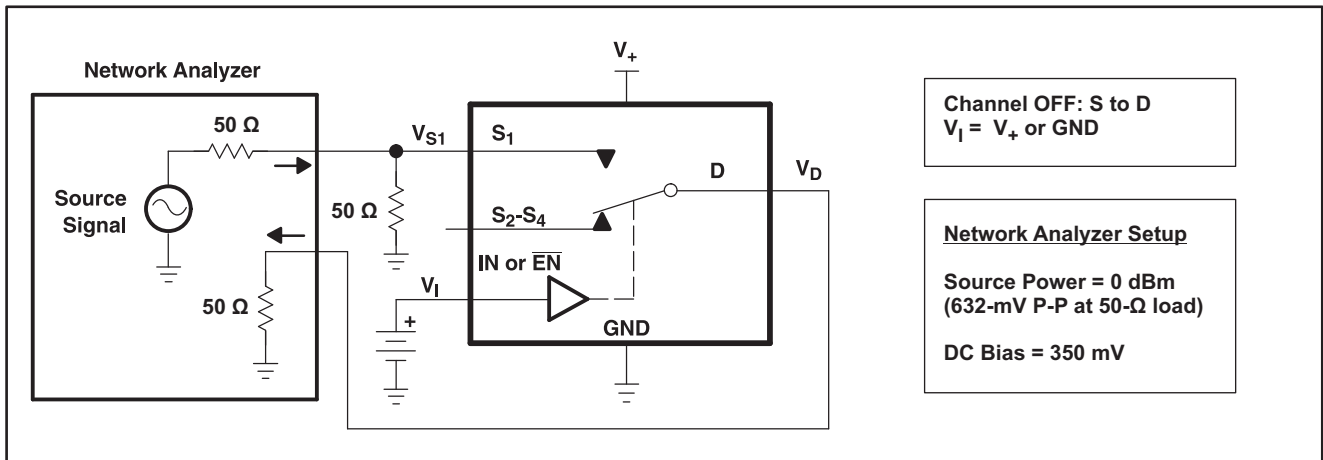


Figure 19. OFF Isolation (O_{ISO})

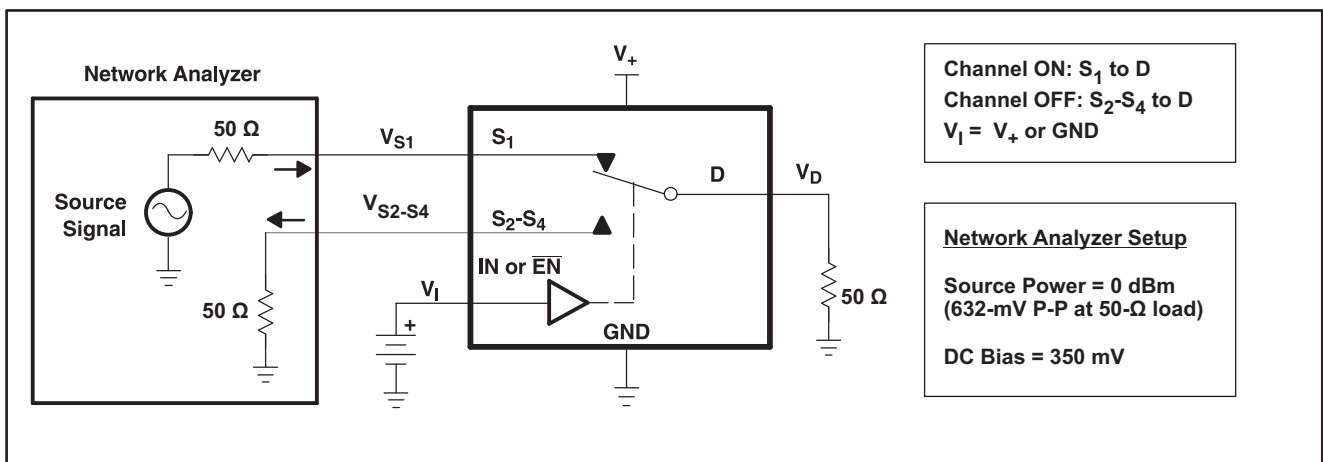


Figure 20. Crosstalk (X_{TALK})

PARAMETER MEASUREMENT INFORMATION (continued)

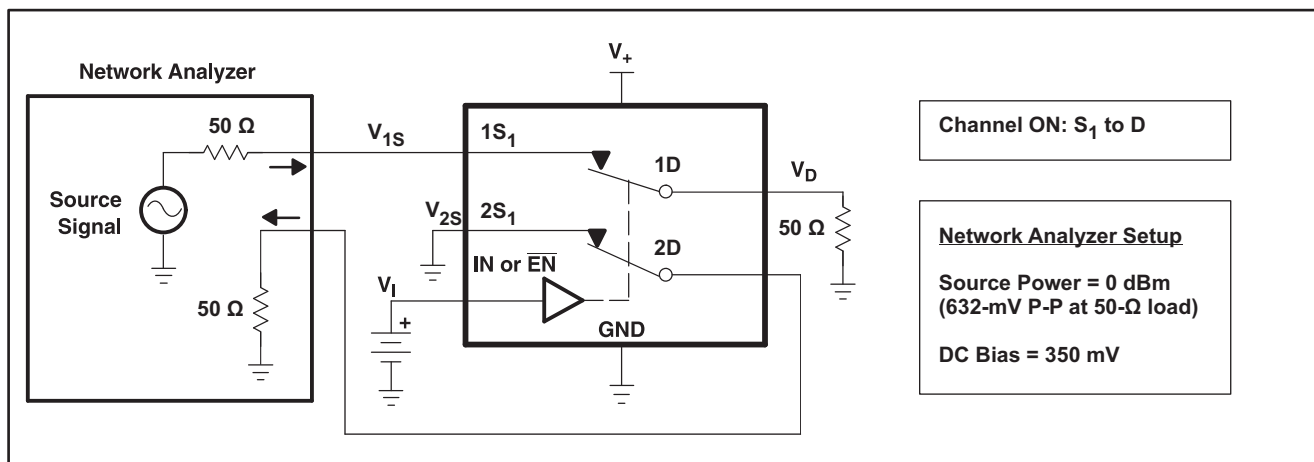
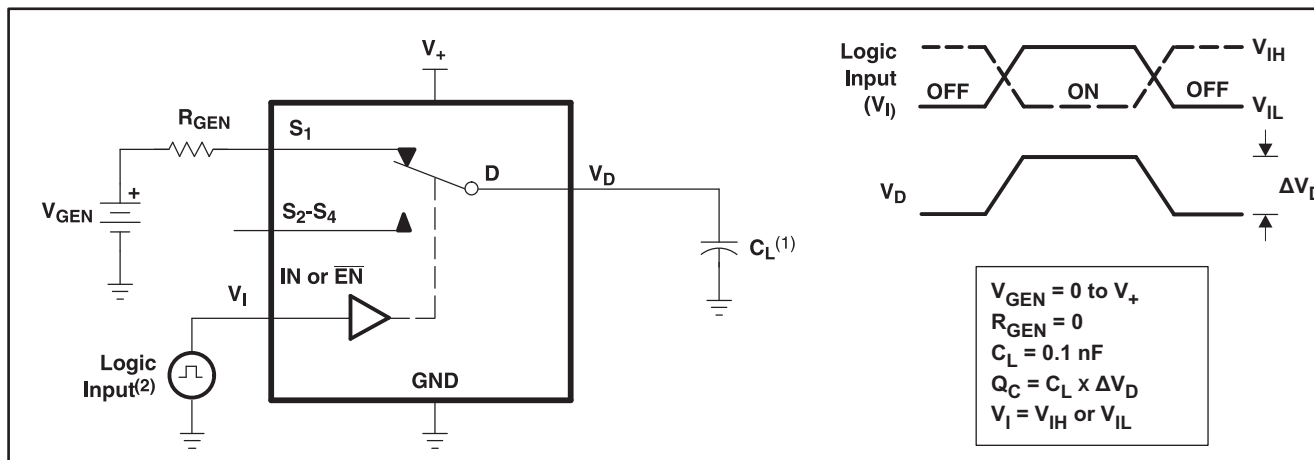


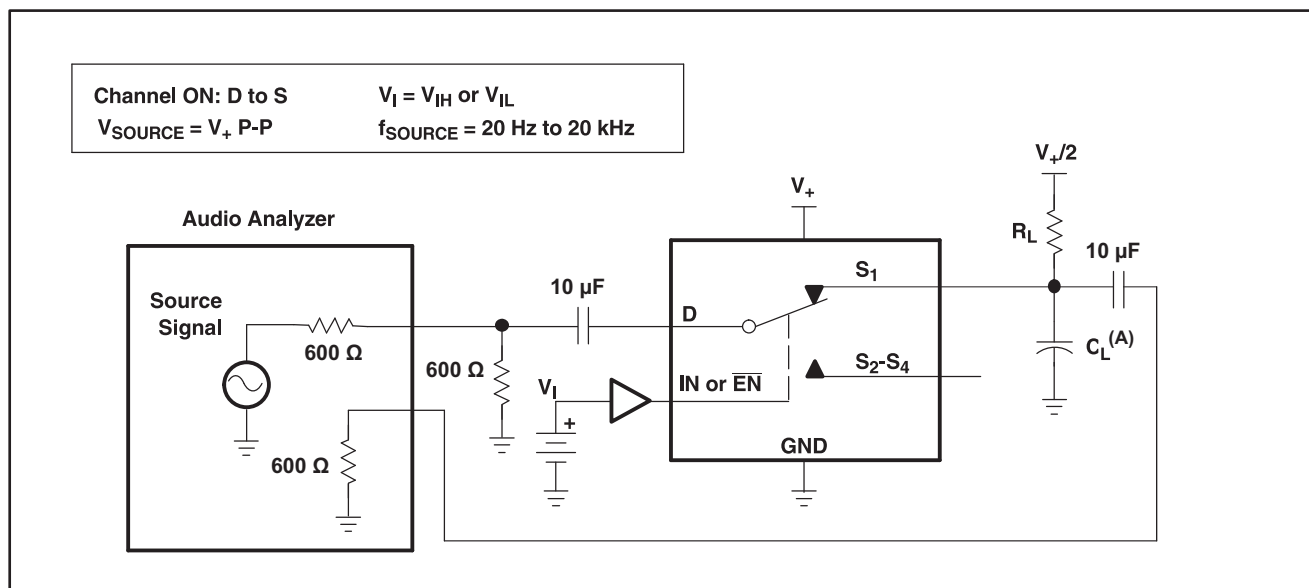
Figure 21. Adjacent Crosstalk (X_{TALK})



- A. All input pulses are supplied by generators having the following characteristics: $PRR \leq 10$ MHz, $Z_O = 50 \Omega$, $t_r < 5$ ns, $t_f < 5$ ns.
- B. C_L includes probe and jig capacitance.

Figure 22. Charge Injection (Q_C)

PARAMETER MEASUREMENT INFORMATION (continued)



A. C_L includes probe and jig capacitance.

Figure 23. Total Harmonic Distortion (THD)

PACKAGING INFORMATION

Orderable Device	Status ⁽¹⁾	Package Type	Package Drawing	Pins	Package Qty	Eco Plan ⁽²⁾	Lead/Ball Finish	MSL Peak Temp ⁽³⁾
TS3A5017D	ACTIVE	SOIC	D	16	40	Green (RoHS & no Sb/Br)	CU NIPDAU	Level-1-260C-UNLIM
TS3A5017DBQR	ACTIVE	SSOP/QSOP	DBQ	16	2500	Green (RoHS & no Sb/Br)	CU NIPDAU	Level-2-260C-1 YEAR
TS3A5017DBQRE4	ACTIVE	SSOP/QSOP	DBQ	16	2500	Green (RoHS & no Sb/Br)	CU NIPDAU	Level-2-260C-1 YEAR
TS3A5017DBQRG4	ACTIVE	SSOP/QSOP	DBQ	16	2500	Green (RoHS & no Sb/Br)	CU NIPDAU	Level-2-260C-1 YEAR
TS3A5017DE4	ACTIVE	SOIC	D	16	40	Green (RoHS & no Sb/Br)	CU NIPDAU	Level-1-260C-UNLIM
TS3A5017DG4	ACTIVE	SOIC	D	16	40	Green (RoHS & no Sb/Br)	CU NIPDAU	Level-1-260C-UNLIM
TS3A5017DGVR	ACTIVE	TVSOP	DGV	16	2000	Green (RoHS & no Sb/Br)	CU NIPDAU	Level-1-260C-UNLIM
TS3A5017DGVRE4	ACTIVE	TVSOP	DGV	16	2000	Green (RoHS & no Sb/Br)	CU NIPDAU	Level-1-260C-UNLIM
TS3A5017DGVRG4	ACTIVE	TVSOP	DGV	16	2000	Green (RoHS & no Sb/Br)	CU NIPDAU	Level-1-260C-UNLIM
TS3A5017DR	ACTIVE	SOIC	D	16	2500	Green (RoHS & no Sb/Br)	CU NIPDAU	Level-1-260C-UNLIM
TS3A5017DRE4	ACTIVE	SOIC	D	16	2500	Green (RoHS & no Sb/Br)	CU NIPDAU	Level-1-260C-UNLIM
TS3A5017DRG4	ACTIVE	SOIC	D	16	2500	Green (RoHS & no Sb/Br)	CU NIPDAU	Level-1-260C-UNLIM
TS3A5017PW	ACTIVE	TSSOP	PW	16	90	Green (RoHS & no Sb/Br)	CU NIPDAU	Level-1-260C-UNLIM
TS3A5017PWE4	ACTIVE	TSSOP	PW	16	90	Green (RoHS & no Sb/Br)	CU NIPDAU	Level-1-260C-UNLIM
TS3A5017PWG4	ACTIVE	TSSOP	PW	16	90	Green (RoHS & no Sb/Br)	CU NIPDAU	Level-1-260C-UNLIM
TS3A5017PWR	ACTIVE	TSSOP	PW	16	2000	Green (RoHS & no Sb/Br)	CU NIPDAU	Level-1-260C-UNLIM
TS3A5017PWRE4	ACTIVE	TSSOP	PW	16	2000	Green (RoHS & no Sb/Br)	CU NIPDAU	Level-1-260C-UNLIM
TS3A5017PWRG4	ACTIVE	TSSOP	PW	16	2000	Green (RoHS & no Sb/Br)	CU NIPDAU	Level-1-260C-UNLIM
TS3A5017RGYR	ACTIVE	QFN	RGY	16	1000	Green (RoHS & no Sb/Br)	CU NIPDAU	Level-2-260C-1 YEAR
TS3A5017RGYRG4	ACTIVE	QFN	RGY	16	1000	Green (RoHS & no Sb/Br)	CU NIPDAU	Level-2-260C-1 YEAR
TS3A5017RSV	PREVIEW	QFN	RSV	16		TBD	Call TI	Call TI
TS3A5017RSVR	ACTIVE	QFN	RSV	16	3000	Green (RoHS & no Sb/Br)	CU NIPDAU	Level-1-260C-UNLIM

⁽¹⁾ The marketing status values are defined as follows:

ACTIVE: Product device recommended for new designs.

LIFEBUY: TI has announced that the device will be discontinued, and a lifetime-buy period is in effect.

NRND: Not recommended for new designs. Device is in production to support existing customers, but TI does not recommend using this part in a new design.

PREVIEW: Device has been announced but is not in production. Samples may or may not be available.

OBSELETE: TI has discontinued the production of the device.

(2) Eco Plan - The planned eco-friendly classification: Pb-Free (RoHS), Pb-Free (RoHS Exempt), or Green (RoHS & no Sb/Br) - please check <http://www.ti.com/productcontent> for the latest availability information and additional product content details.

TBD: The Pb-Free/Green conversion plan has not been defined.

Pb-Free (RoHS): TI's terms "Lead-Free" or "Pb-Free" mean semiconductor products that are compatible with the current RoHS requirements for all 6 substances, including the requirement that lead not exceed 0.1% by weight in homogeneous materials. Where designed to be soldered at high temperatures, TI Pb-Free products are suitable for use in specified lead-free processes.

Pb-Free (RoHS Exempt): This component has a RoHS exemption for either 1) lead-based flip-chip solder bumps used between the die and package, or 2) lead-based die adhesive used between the die and leadframe. The component is otherwise considered Pb-Free (RoHS compatible) as defined above.

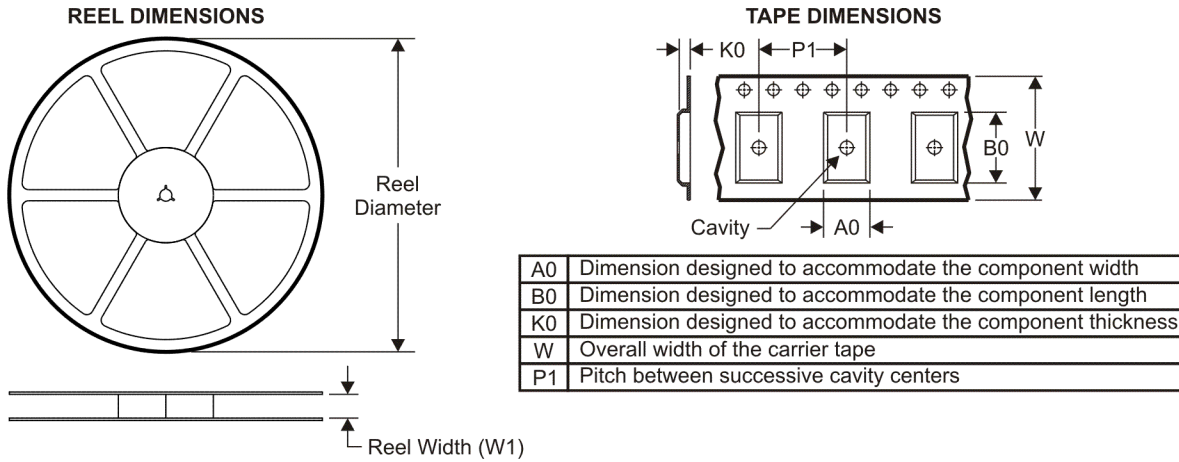
Green (RoHS & no Sb/Br): TI defines "Green" to mean Pb-Free (RoHS compatible), and free of Bromine (Br) and Antimony (Sb) based flame retardants (Br or Sb do not exceed 0.1% by weight in homogeneous material)

(3) MSL, Peak Temp. -- The Moisture Sensitivity Level rating according to the JEDEC industry standard classifications, and peak solder temperature.

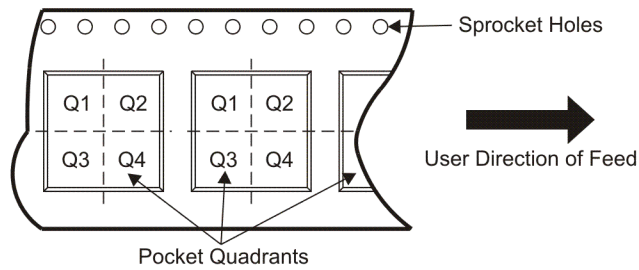
Important Information and Disclaimer:The information provided on this page represents TI's knowledge and belief as of the date that it is provided. TI bases its knowledge and belief on information provided by third parties, and makes no representation or warranty as to the accuracy of such information. Efforts are underway to better integrate information from third parties. TI has taken and continues to take reasonable steps to provide representative and accurate information but may not have conducted destructive testing or chemical analysis on incoming materials and chemicals. TI and TI suppliers consider certain information to be proprietary, and thus CAS numbers and other limited information may not be available for release.

In no event shall TI's liability arising out of such information exceed the total purchase price of the TI part(s) at issue in this document sold by TI to Customer on an annual basis.

TAPE AND REEL INFORMATION



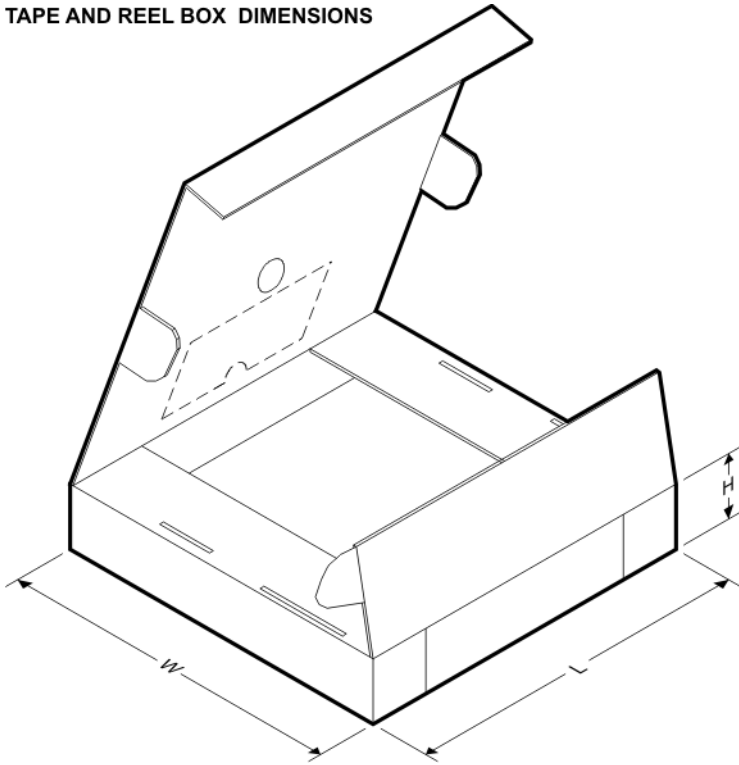
QUADRANT ASSIGNMENTS FOR PIN 1 ORIENTATION IN TAPE



*All dimensions are nominal

Device	Package Type	Package Drawing	Pins	SPQ	Reel Diameter (mm)	Reel Width W1 (mm)	A0 (mm)	B0 (mm)	K0 (mm)	P1 (mm)	W (mm)	Pin1 Quadrant
TS3A5017DGVR	TVSOP	DGV	16	2000	330.0	12.4	6.8	4.0	1.6	8.0	12.0	Q1
TS3A5017DR	SOIC	D	16	2500	330.0	16.4	6.5	10.3	2.1	8.0	16.0	Q1
TS3A5017PWR	TSSOP	PW	16	2000	330.0	12.4	7.0	5.6	1.6	8.0	12.0	Q1
TS3A5017RGYR	QFN	RGY	16	1000	180.0	12.4	3.8	4.3	1.5	8.0	12.0	Q1

TAPE AND REEL BOX DIMENSIONS



*All dimensions are nominal

Device	Package Type	Package Drawing	Pins	SPQ	Length (mm)	Width (mm)	Height (mm)
TS3A5017DGVR	TVSOP	DGV	16	2000	346.0	346.0	29.0
TS3A5017DR	SOIC	D	16	2500	333.2	345.9	28.6
TS3A5017PWR	TSSOP	PW	16	2000	346.0	346.0	29.0
TS3A5017RGYR	QFN	RGY	16	1000	190.5	212.7	31.8

PW (R-PDSO-G**)

PLASTIC SMALL-OUTLINE PACKAGE

14 PINS SHOWN

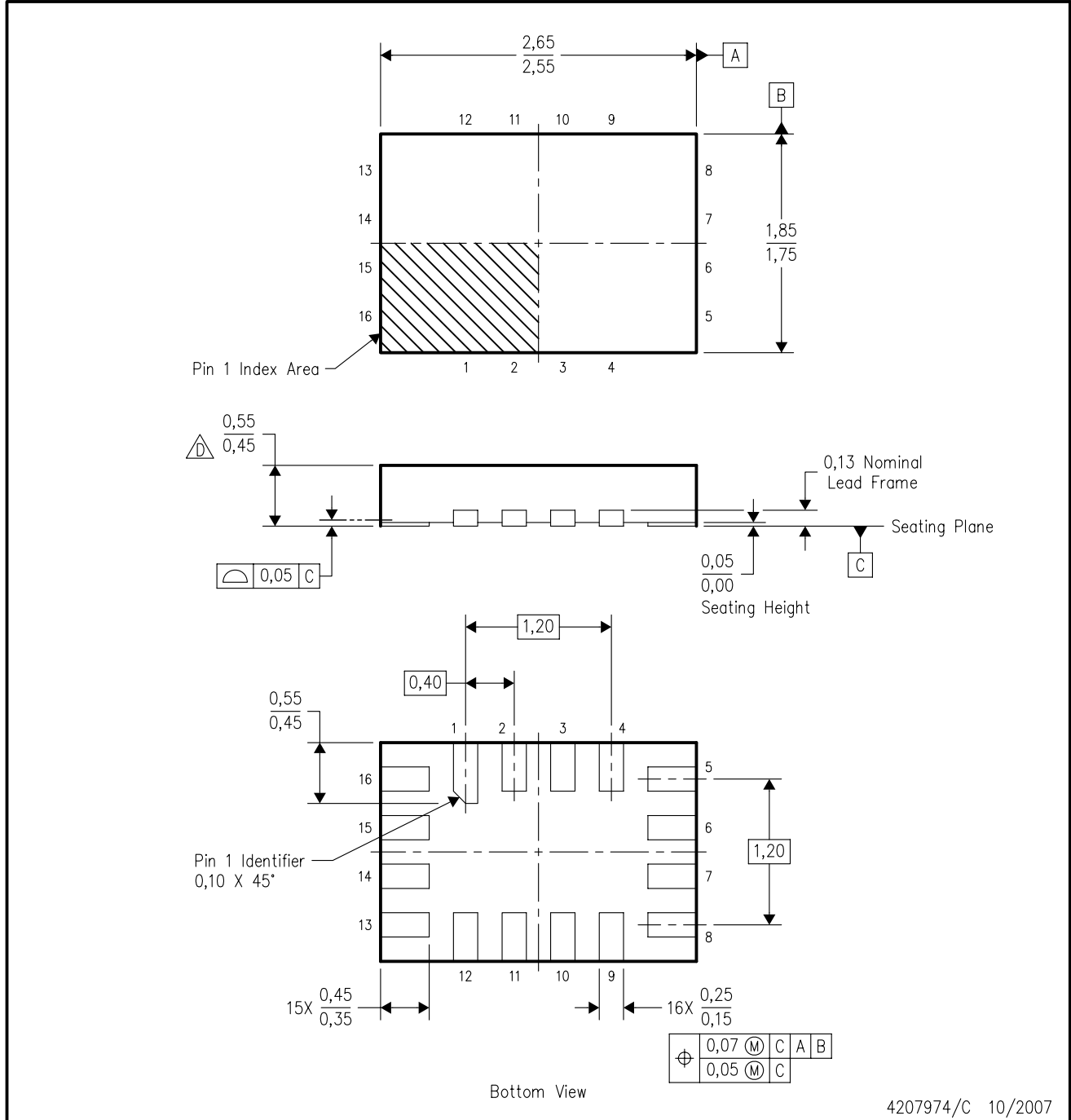


4040064/F 01/97

- NOTES: A. All linear dimensions are in millimeters.
 B. This drawing is subject to change without notice.
 C. Body dimensions do not include mold flash or protrusion not to exceed 0,15.
 D. Falls within JEDEC MO-153

RSV (R-PQFP-N16)

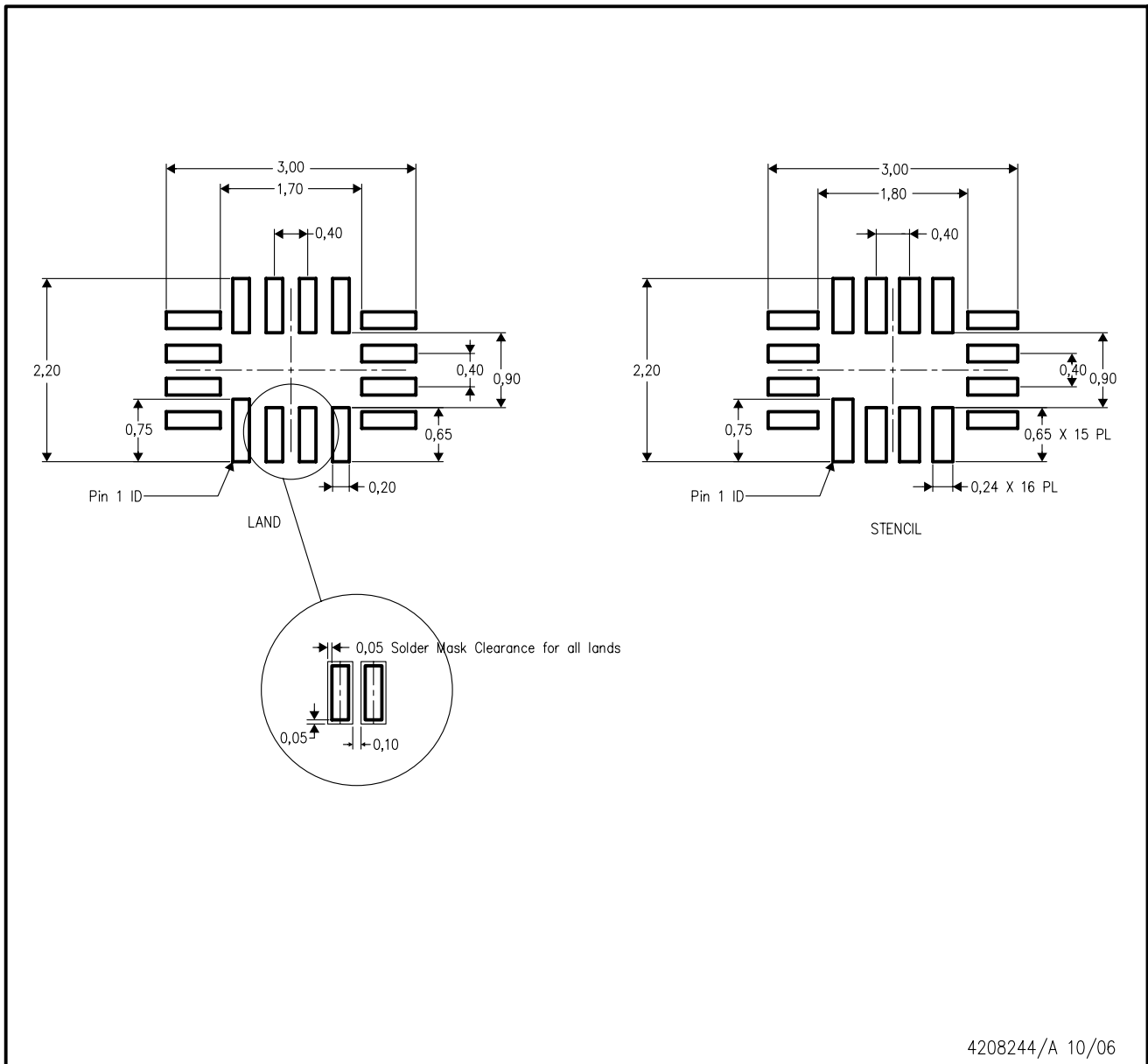
PLASTIC QUAD FLATPACK



4207974/C 10/2007

- NOTES:
- A. All linear dimensions are in millimeters. Dimensioning and tolerancing per ASME Y14.5M-1994.
 - B. This drawing is subject to change without notice.
 - C. QFN (Quad Flatpack No-Lead) package configuration.
 - This package complies to JEDEC MO-288 variation UFHE, except minimum package thickness.

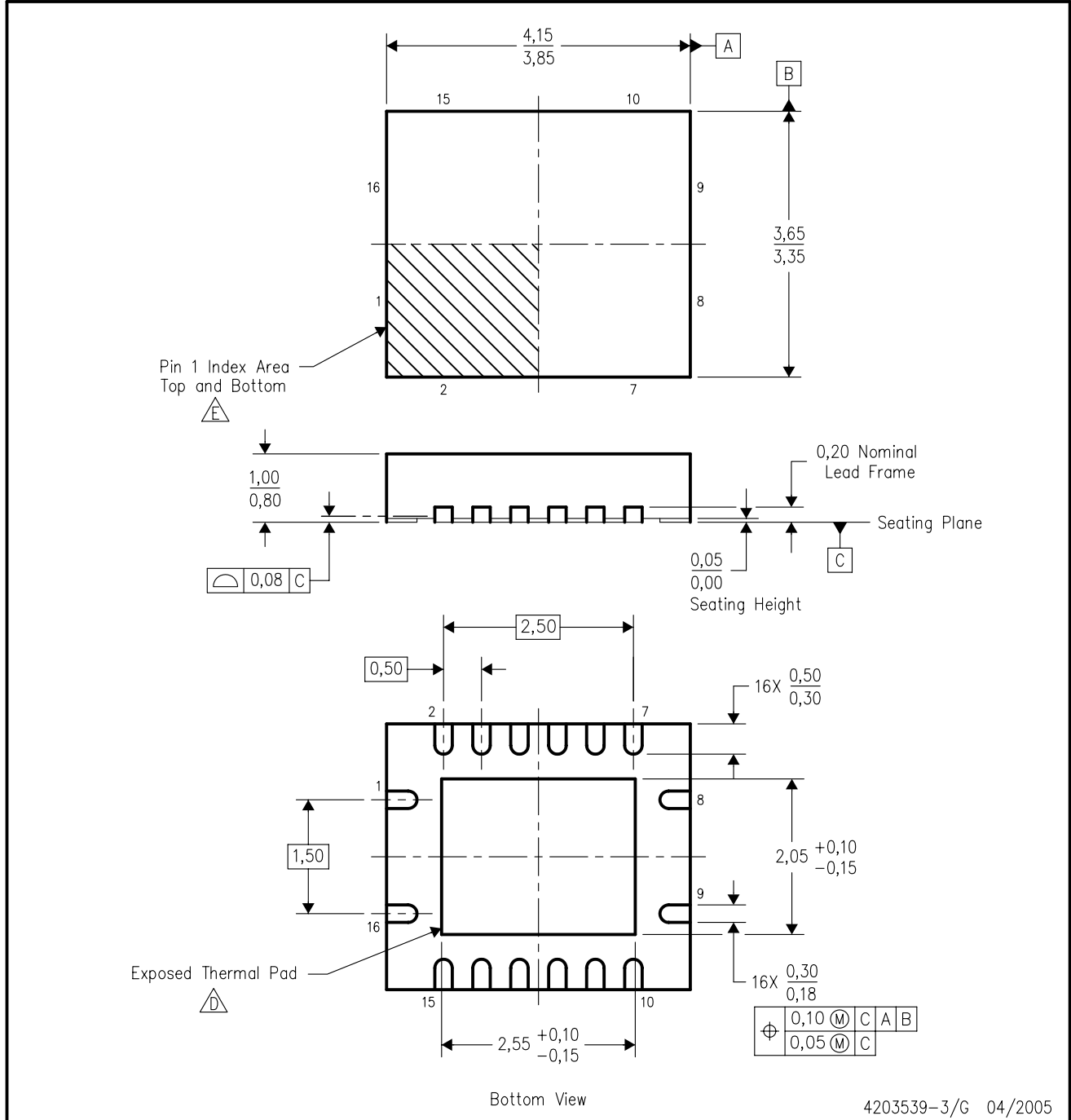
RSV (R-PQFP-N16)



- NOTES:
- All linear dimensions are in millimeters.
 - This drawing is subject to change without notice.
 - Publication IPC-7351 is recommended for alternate designs.
 - Customers should contact their board fabrication site for minimum solder mask web tolerances between signal pads.
 - Maximum stencil thickness 0,127 mm (5 mils). All linear dimensions are in millimeters.
 - Laser cutting apertures with trapezoidal walls and also rounding corners will offer better paste release. Customers should contact their board assembly site for stencil design recommendations. Refer to IPC 7525 for stencil design considerations.
 - Side aperture dimensions over-print land for acceptable area ratio > 0.66. Customer may reduce side aperture dimensions if stencil manufacturing process allows for sufficient release at smaller opening.

RGY (R-PQFP-N16)

PLASTIC QUAD FLATPACK



4203539-3/G 04/2005

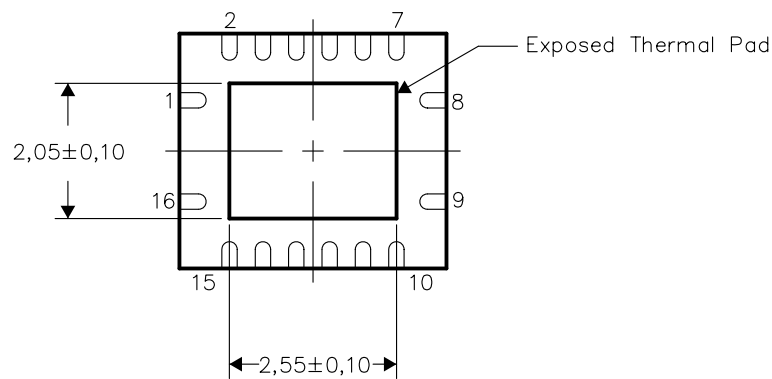
- NOTES:
- A. All linear dimensions are in millimeters. Dimensioning and tolerancing per ASME Y14.5M-1994.
 - B. This drawing is subject to change without notice.
 - C. QFN (Quad Flatpack No-Lead) package configuration.
 - The package thermal pad must be soldered to the board for thermal and mechanical performance.
 - Pin 1 identifiers are located on both top and bottom of the package and within the zone indicated. The Pin 1 identifiers are either a molded, marked, or metal feature.
 - F. Package complies to JEDEC MO-241 variation BB.

THERMAL INFORMATION

This package incorporates an exposed thermal pad that is designed to be attached directly to an external heatsink. The thermal pad must be soldered directly to the printed circuit board (PCB). After soldering, the PCB can be used as a heatsink. In addition, through the use of thermal vias, the thermal pad can be attached directly to the appropriate copper plane shown in the electrical schematic for the device, or alternatively, can be attached to a special heatsink structure designed into the PCB. This design optimizes the heat transfer from the integrated circuit (IC).

For information on the Quad Flatpack No-Lead (QFN) package and its advantages, refer to Application Report, Quad Flatpack No-Lead Logic Packages, Texas Instruments Literature No. SCBA017. This document is available at www.ti.com.

The exposed thermal pad dimensions for this package are shown in the following illustration.

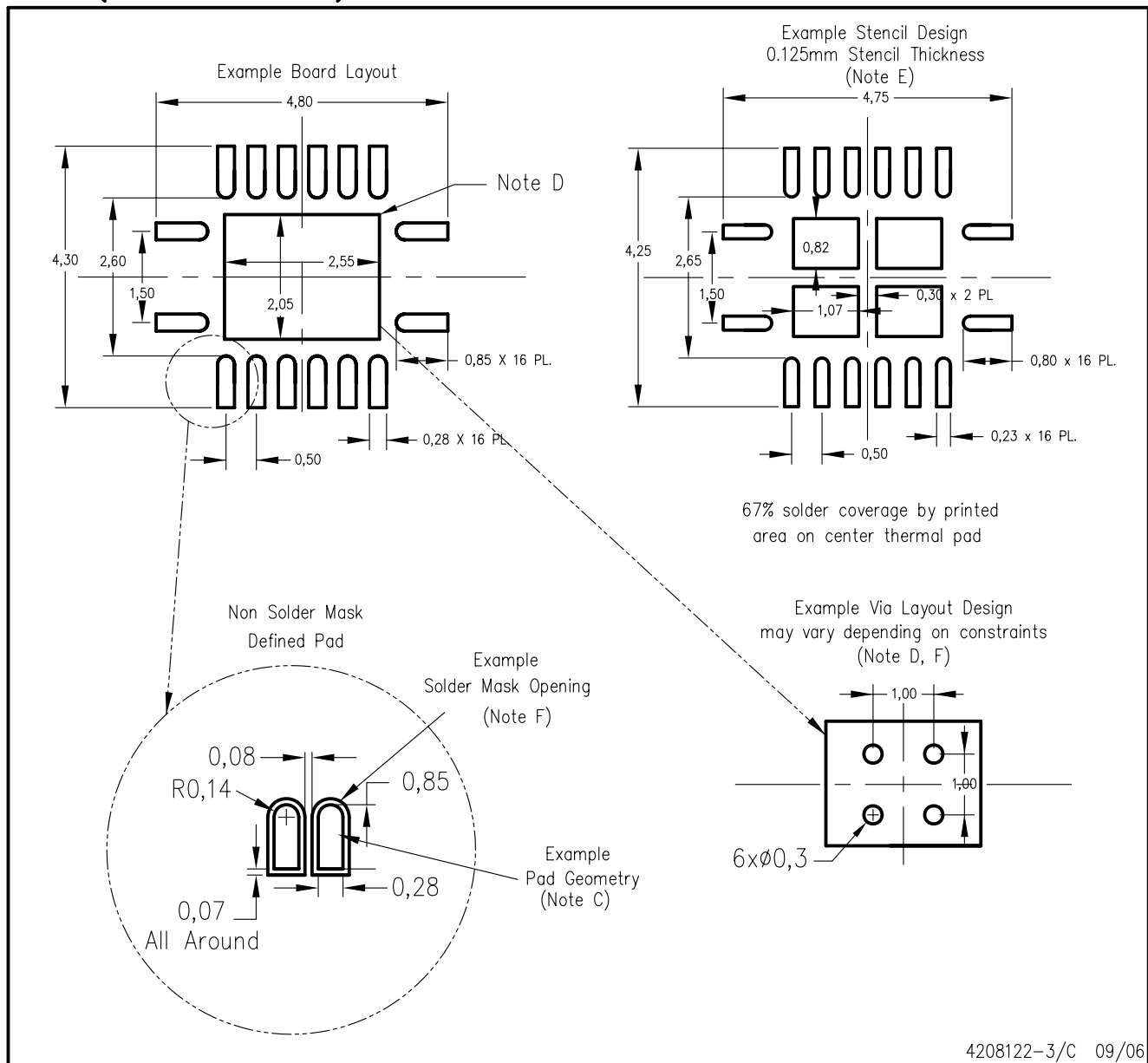


Bottom View

NOTE: All linear dimensions are in millimeters

Exposed Thermal Pad Dimensions

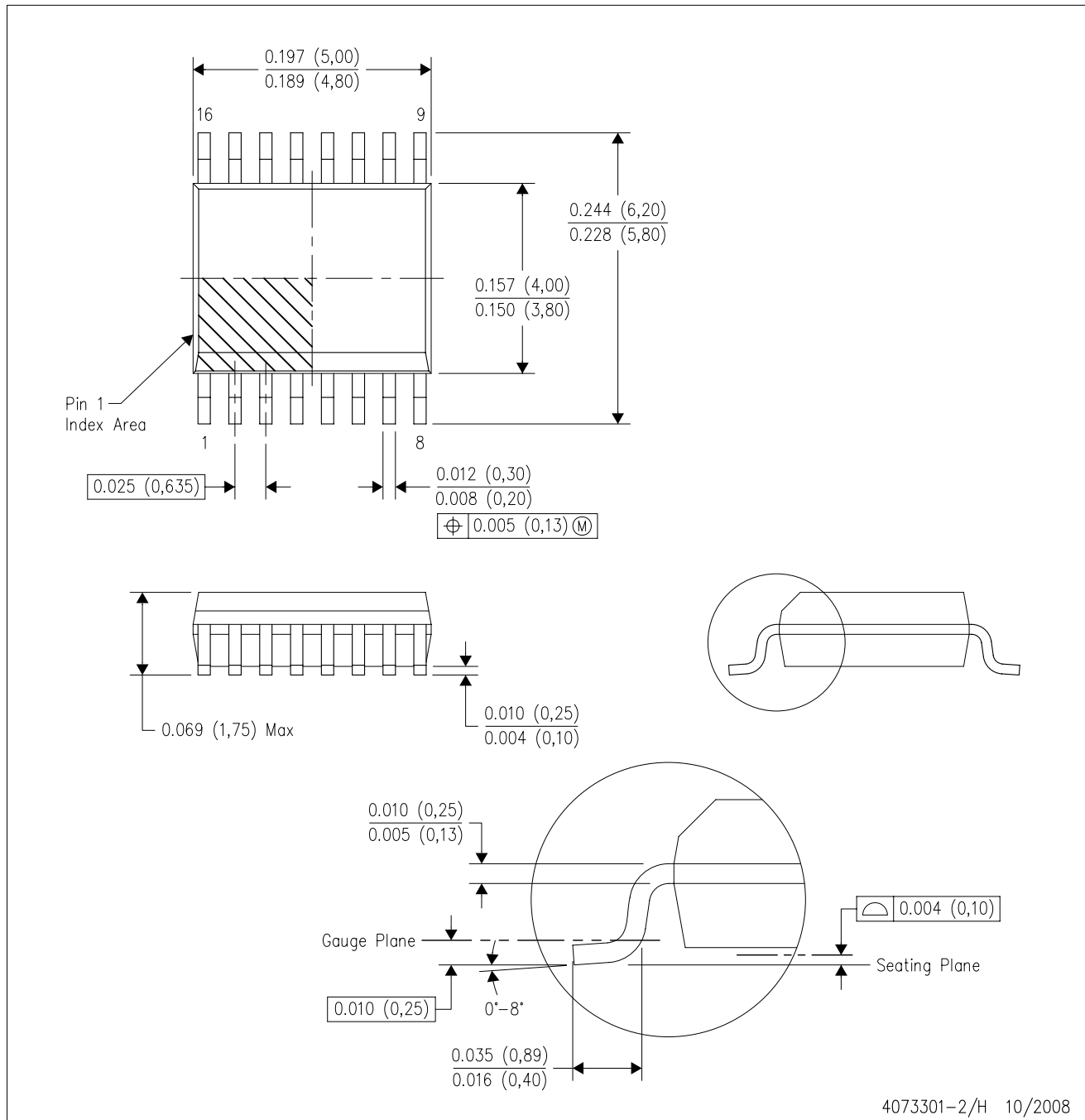
RGY (R-PQFP-N16)



- NOTES:
- A. All linear dimensions are in millimeters.
 - B. This drawing is subject to change without notice.
 - C. Publication IPC-7351 is recommended for alternate designs.
 - D. This package is designed to be soldered to a thermal pad on the board. Refer to Application Note, Quad Flat-Pack Packages, Texas Instruments Literature No. SCBA017, SLUA271, and also the Product Data Sheets for specific thermal information, via requirements, and recommended board layout. These documents are available at www.ti.com <<http://www.ti.com>>.
 - E. Laser cutting apertures with trapezoidal walls and also rounding corners will offer better paste release. Customers should contact their board assembly site for stencil design recommendations. Refer to IPC 7525 for stencil design considerations.
 - F. Customers should contact their board fabrication site for minimum solder mask web tolerances between signal pads.

DBQ (R-PDSO-G16)

PLASTIC SMALL-OUTLINE PACKAGE



- NOTES:
- A. All linear dimensions are in inches (millimeters).
 - B. This drawing is subject to change without notice.
 - C. Body dimensions do not include mold flash or protrusion not to exceed 0.006 (0,15) per side.
 - D. Falls within JEDEC MO-137 variation AB.

IMPORTANT NOTICE

Texas Instruments Incorporated and its subsidiaries (TI) reserve the right to make corrections, modifications, enhancements, improvements, and other changes to its products and services at any time and to discontinue any product or service without notice. Customers should obtain the latest relevant information before placing orders and should verify that such information is current and complete. All products are sold subject to TI's terms and conditions of sale supplied at the time of order acknowledgment.

TI warrants performance of its hardware products to the specifications applicable at the time of sale in accordance with TI's standard warranty. Testing and other quality control techniques are used to the extent TI deems necessary to support this warranty. Except where mandated by government requirements, testing of all parameters of each product is not necessarily performed.

TI assumes no liability for applications assistance or customer product design. Customers are responsible for their products and applications using TI components. To minimize the risks associated with customer products and applications, customers should provide adequate design and operating safeguards.

TI does not warrant or represent that any license, either express or implied, is granted under any TI patent right, copyright, mask work right, or other TI intellectual property right relating to any combination, machine, or process in which TI products or services are used. Information published by TI regarding third-party products or services does not constitute a license from TI to use such products or services or a warranty or endorsement thereof. Use of such information may require a license from a third party under the patents or other intellectual property of the third party, or a license from TI under the patents or other intellectual property of TI.

Reproduction of TI information in TI data books or data sheets is permissible only if reproduction is without alteration and is accompanied by all associated warranties, conditions, limitations, and notices. Reproduction of this information with alteration is an unfair and deceptive business practice. TI is not responsible or liable for such altered documentation. Information of third parties may be subject to additional restrictions.

Resale of TI products or services with statements different from or beyond the parameters stated by TI for that product or service voids all express and any implied warranties for the associated TI product or service and is an unfair and deceptive business practice. TI is not responsible or liable for any such statements.

TI products are not authorized for use in safety-critical applications (such as life support) where a failure of the TI product would reasonably be expected to cause severe personal injury or death, unless officers of the parties have executed an agreement specifically governing such use. Buyers represent that they have all necessary expertise in the safety and regulatory ramifications of their applications, and acknowledge and agree that they are solely responsible for all legal, regulatory and safety-related requirements concerning their products and any use of TI products in such safety-critical applications, notwithstanding any applications-related information or support that may be provided by TI. Further, Buyers must fully indemnify TI and its representatives against any damages arising out of the use of TI products in such safety-critical applications.

TI products are neither designed nor intended for use in military/aerospace applications or environments unless the TI products are specifically designated by TI as military-grade or "enhanced plastic." Only products designated by TI as military-grade meet military specifications. Buyers acknowledge and agree that any such use of TI products which TI has not designated as military-grade is solely at the Buyer's risk, and that they are solely responsible for compliance with all legal and regulatory requirements in connection with such use.

TI products are neither designed nor intended for use in automotive applications or environments unless the specific TI products are designated by TI as compliant with ISO/TS 16949 requirements. Buyers acknowledge and agree that, if they use any non-designated products in automotive applications, TI will not be responsible for any failure to meet such requirements.

Following are URLs where you can obtain information on other Texas Instruments products and application solutions:

Products

Amplifiers	amplifier.ti.com
Data Converters	dataconverter.ti.com
DSP	dsp.ti.com
Clocks and Timers	www.ti.com/clocks
Interface	interface.ti.com
Logic	logic.ti.com
Power Mgmt	power.ti.com
Microcontrollers	microcontroller.ti.com
RFID	www.ti-rfid.com
RF/IF and ZigBee® Solutions	www.ti.com/lprf

Applications

Audio	www.ti.com/audio
Automotive	www.ti.com/automotive
Broadband	www.ti.com/broadband
Digital Control	www.ti.com/digitalcontrol
Medical	www.ti.com/medical
Military	www.ti.com/military
Optical Networking	www.ti.com/opticalnetwork
Security	www.ti.com/security
Telephony	www.ti.com/telephony
Video & Imaging	www.ti.com/video
Wireless	www.ti.com/wireless

Mailing Address: Texas Instruments, Post Office Box 655303, Dallas, Texas 75265
Copyright © 2008, Texas Instruments Incorporated